

Double Bowl Sink

SIN-18-DBLBWL-6040-3120S

Specifications

FEATURES:

- 18 (1.27mm) gauge nickel-bearing stainless steel
- 9" & 7 1/2" (229mm & 190mm) deep
- Satin finish
- 3-1/2" (89mm) drain opening
- Sound dampening pad with spray undercoating
- Minimum cabinet size: 36"

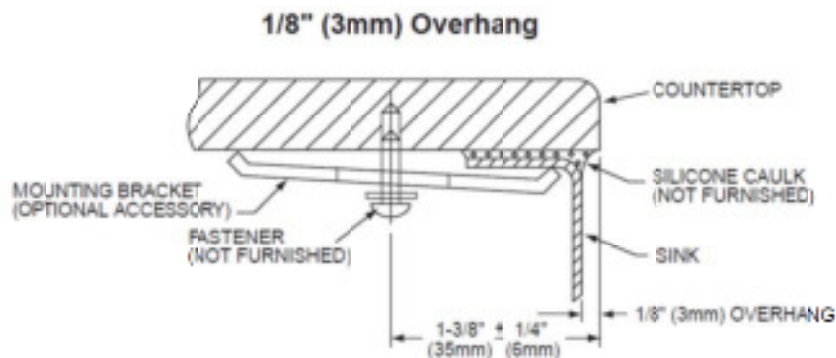


These sinks are listed by the International Association of Plumbing and Mechanical Officials as meeting the requirements of the Uniform Plumbing Code.

OPTIONAL ACCESSORIES:

- Bottom Grid: SIN-18-GRID-4060-3120S

Electronic Template Mounting Option (Download DXF File from www.msistone.com)



NOTE: THIS UNDERMOUNT SINK IS DESIGNED TO MOUNT TO SOLID SURFACE (NON-LAMINATE) COUNTERTOP ONLY.

DRAWING:

